

QL1 - SYSTEM


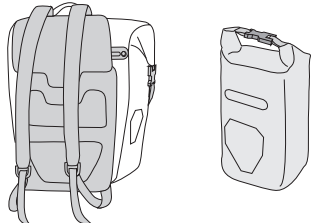

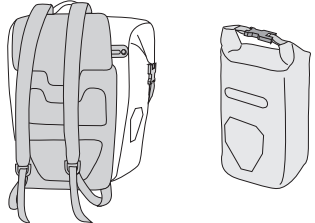

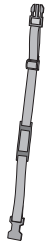
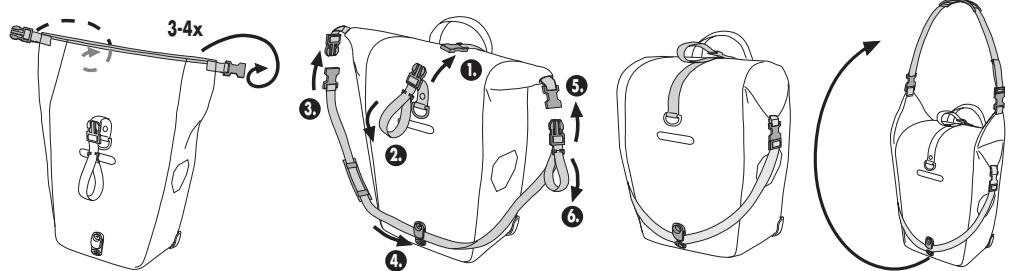
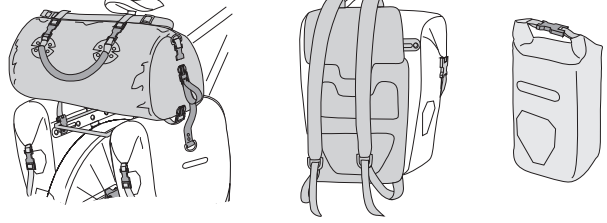


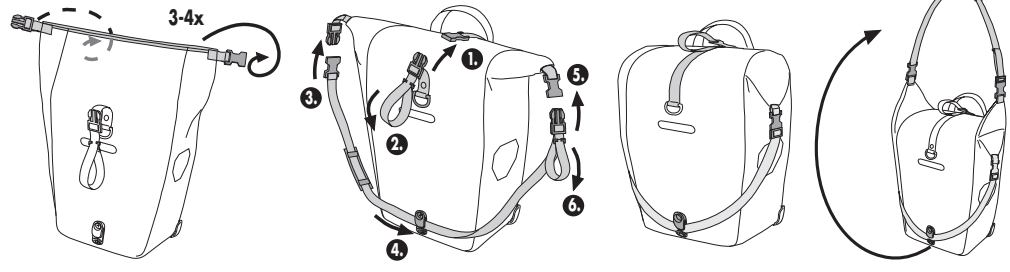
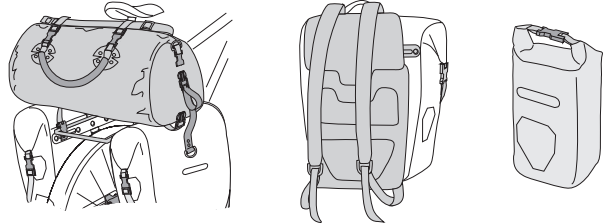
(D) MONTAGEANLEITUNG:
(GB) ASSEMBLY INSTRUCTIONS:
(F) INSTRUCTIONS DE MONTAGE:

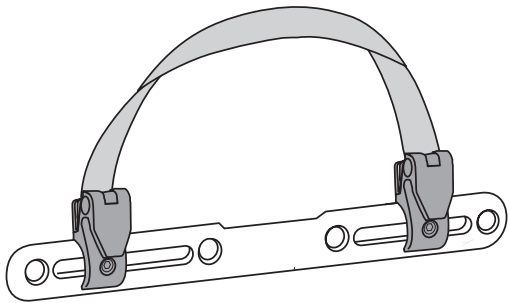
(I) ISTRUZIONI DI MONTAGGIO:
(NL) MONTAGE HANDLEIDING:
(DK) MONTERINGSVEJLEDNING:

(E) INSTRUCCIONES DE MONTAJE:
(S) MONTERINGS ANVISNING:
(N) MONTERINGS ANVISNING:

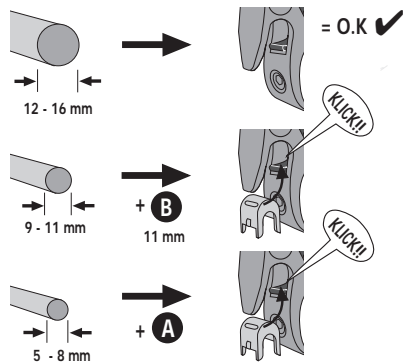
(SF) ASENNUSOHJEET:
(PL) INSTRUKCJA MONTAZU:
(J) 組立方法



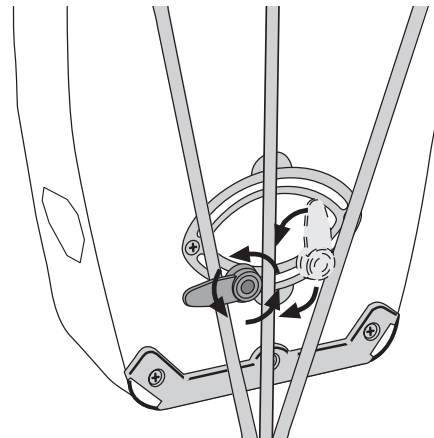
QL1 - MODELS	incl.	⚠	ACCESSOIRES
Bike-Packer Classic 			= + Art. #F33 = + Art. #F915 
Sport-Packer Classic 			= + Art. #F33 = + Art. #F915 
Back-Roller Classic 			= + Rack-Pack, Size M = + Art. #F33 = + Art. #F915 
Front-Roller Classic 			= + Rack-Pack, Size M = + Art. #F33 = + Art. #F915 



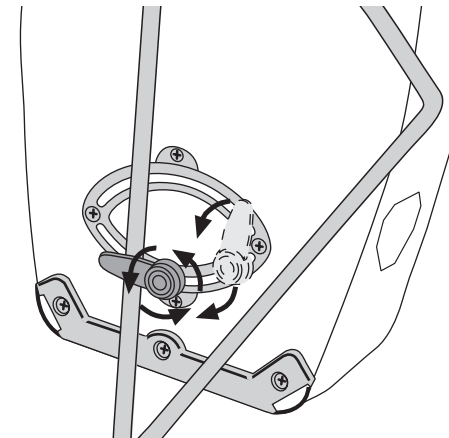
A



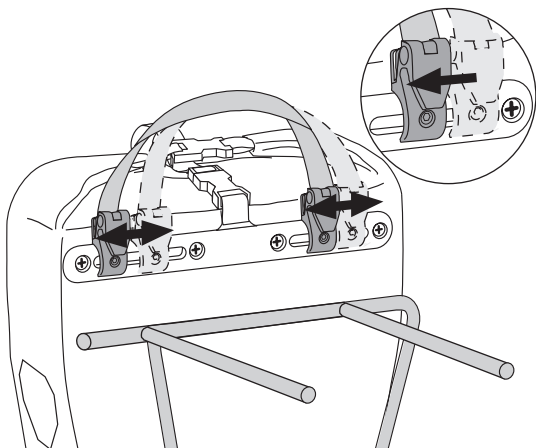
F



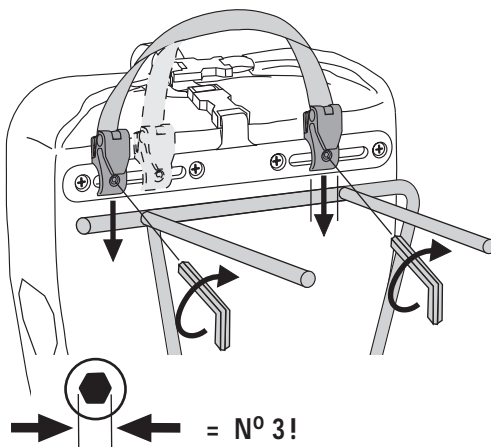
G



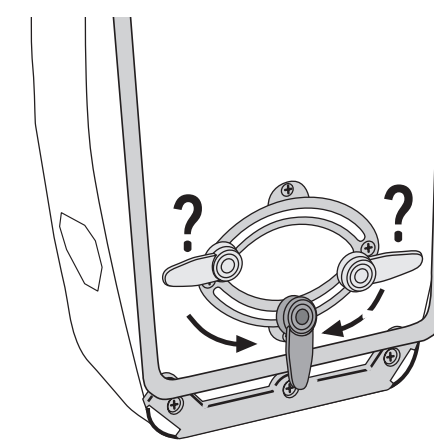
B



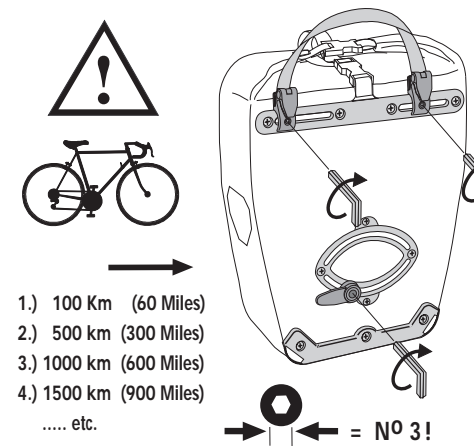
C



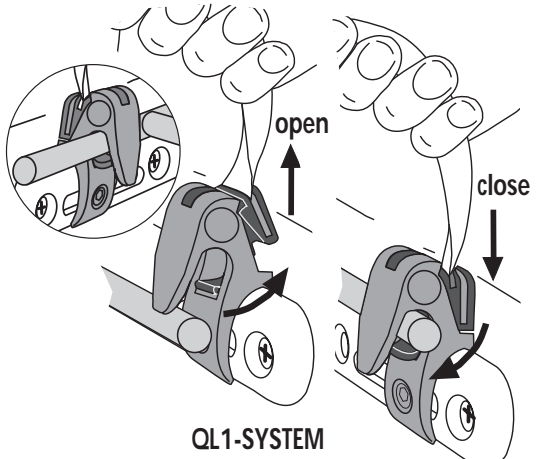
H



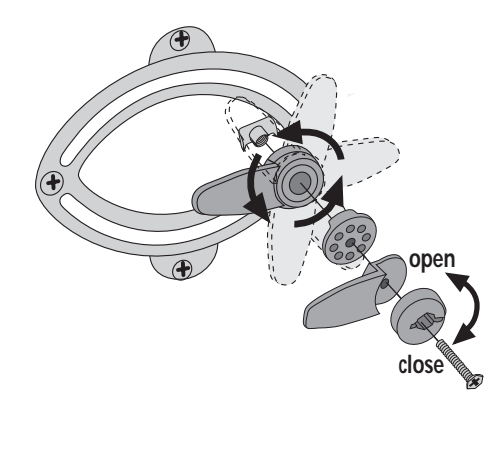
J



D



E



Option

